

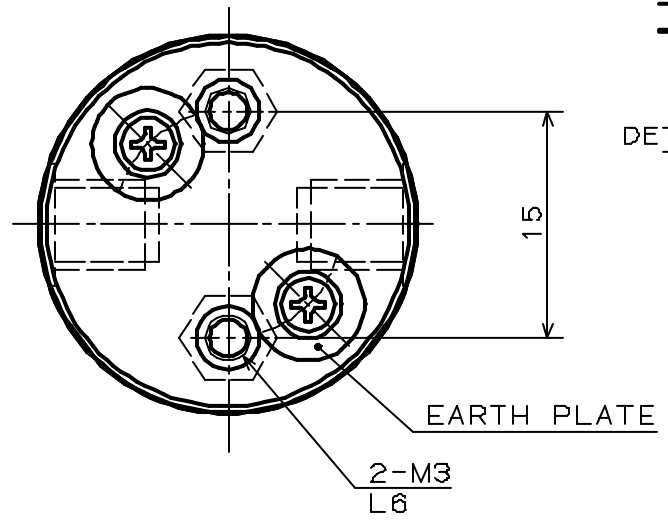
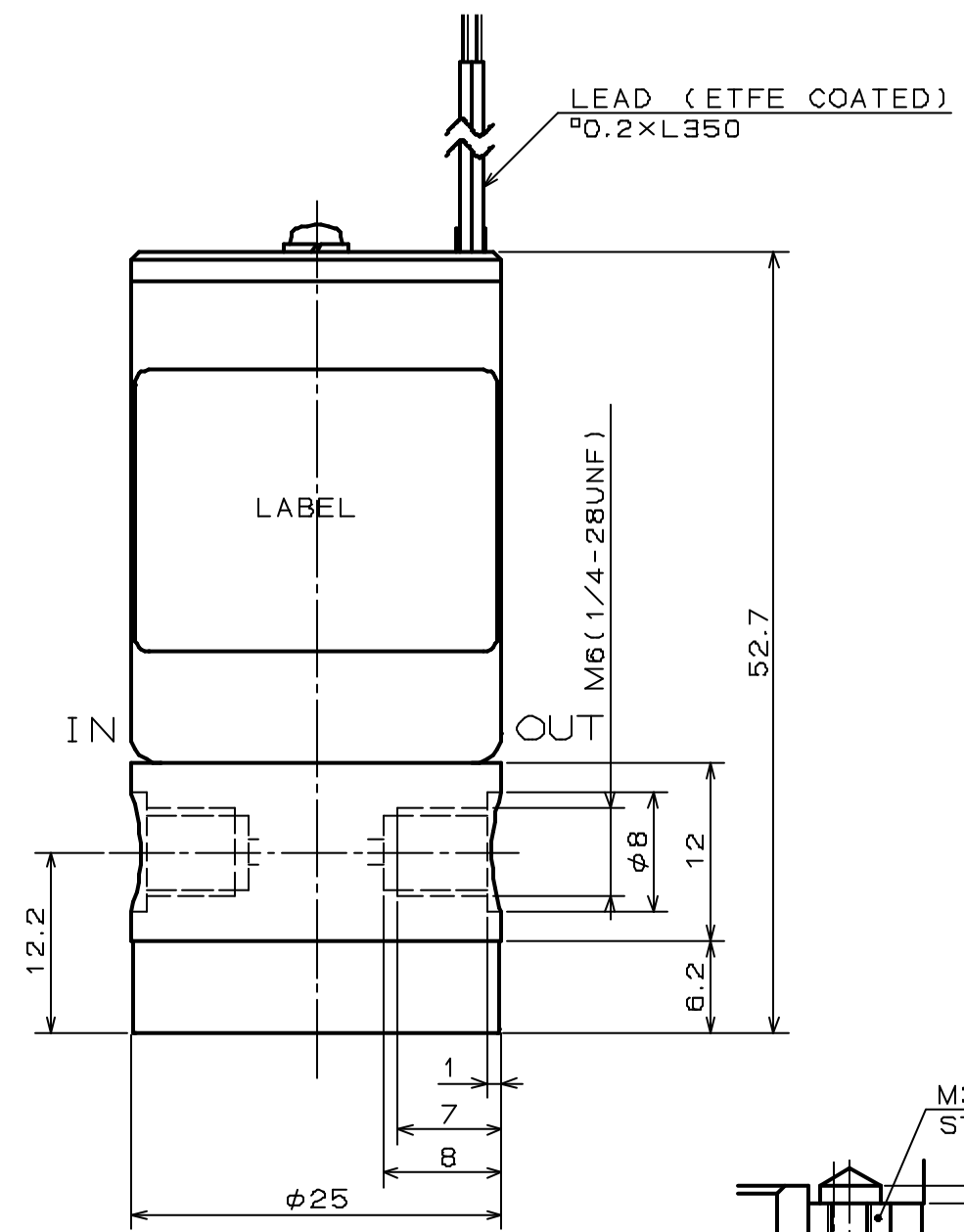
FOR REFERENCE ONLY

# CLEAN VALVE

## SPECIFICATIONS for MODEL MTV-02-M6(1/4UF)

- ORIFICE DIAMETER : 1.6mm
- PORT CONNECTION : M6, 1/4-28UNF
- OPERATING PRESSURE RANGE : COM -100 ~ 300kPa  
[-760mmHg ~ 3bar]
- NC, NO 0 ~ 100kPa  
[0 ~ 1bar]
- FLUID MEDIA : FLUIDS CHEMICALLY COMPATIBLE WITH MATERIALS BELOW
- MEDIA TEMPERATURE RANGE : 0 ~ 60°C
- AMBIENT TEMPERATURE RANGE : 0 ~ 60°C
- RATED VOLTAGE : 12VDC, 24VDC
- POWER CONSUMPTION : 1.9W
- DUTY CYCLE : CONTINUOUS
- COIL TEMPERATURE INCREASE : MAX. 40°C FROM ROOM TEMPERATURE
- INSULATION CLASS : CLASS B
- DIELECTRIC STRENGTH : 1500VAC FOR 60s
- MODEL NUMBERS :

MODEL NUMBERS	PORT CONNECTION
MTV-02-M6	M6
MTV-02-1/4UF	1/4-28UNF



DETAIL OF THE MOUNTING SCREW PART

### WETTED MATERIALS

SYM.	DATE	DESCRIPTION	PART NO.	PART NAME	MATERIAL	REQD.	NOTE
△			2	DIAPHRAGM	PTFE	1	
△			1	VALVE BODY	PTFE/PCTFE/HPVC	1	
REVISION			PART NO.	PART NAME	MATERIAL	REQD.	NOTE
SCALE	APPROVED	CHECKED	DRAWN	CLEAN VALVE		DRAWING NO	
2/1				MTV-02-M6(1/4UF)		987026-00-S	
A 3							