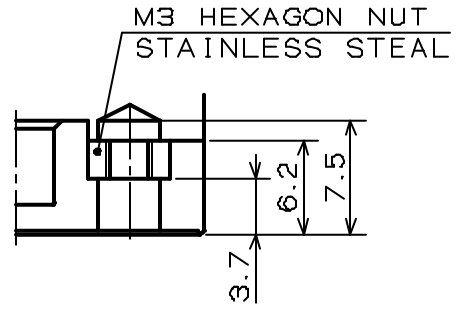
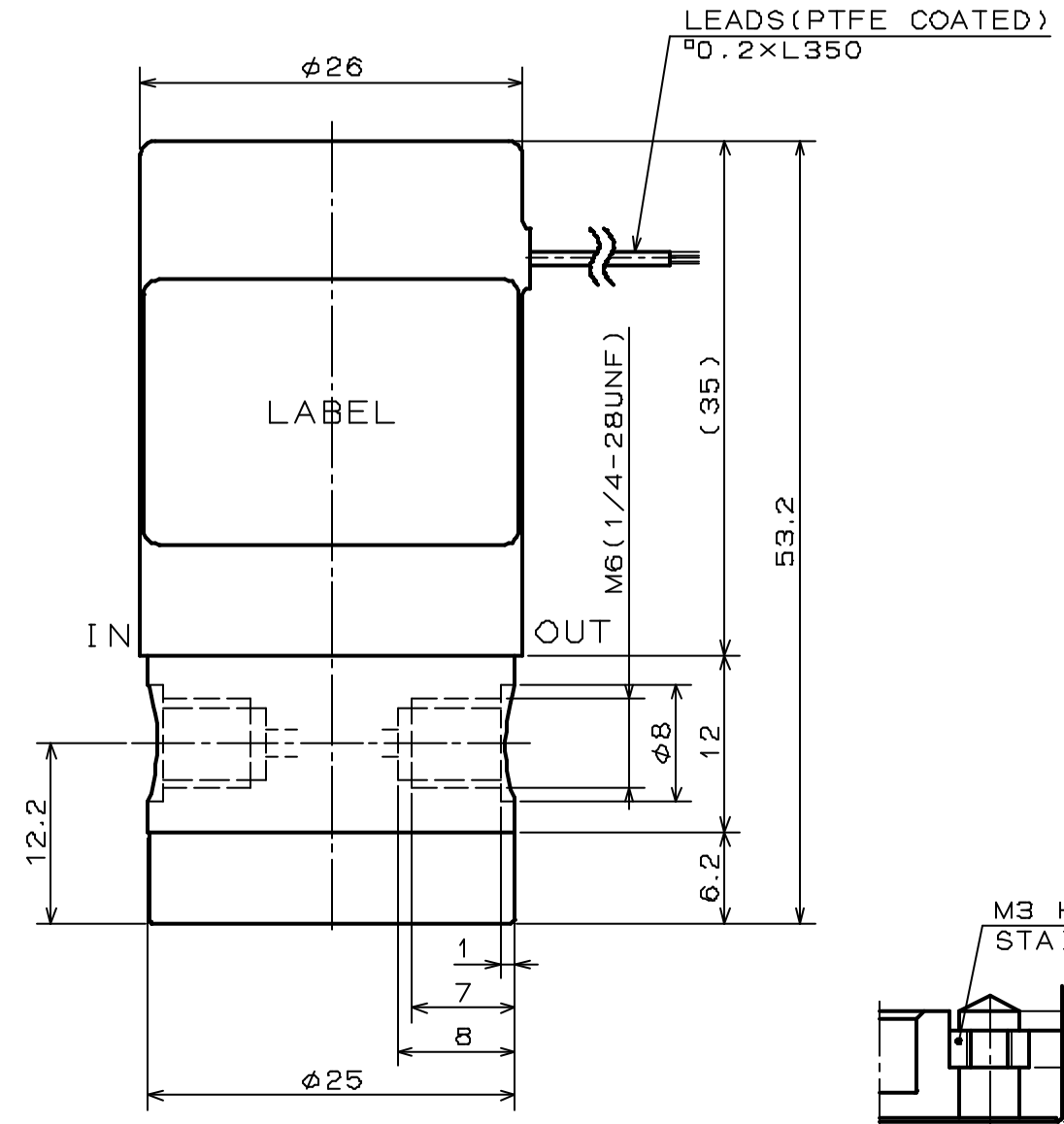


FOR REFERENCE ONLY

SOLENOID VALVE

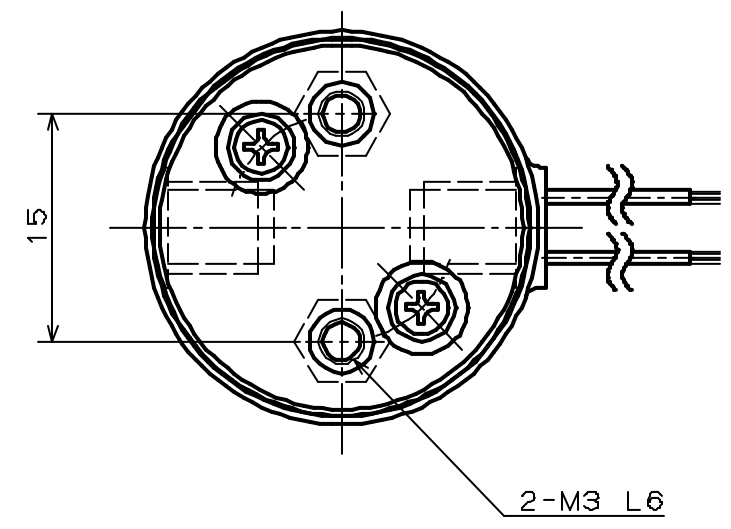
SPECIFICATIONS for MODEL MTV-2-NM6(1/4U)

ORIFICE DIAMETER : 1.6mm  
 PORT CONNECTION : M6, 1/4-28UNF  
 OPERATING PRESSURE RANGE : IN -100 ~ 300kPa  
 [-750mmHg ~ 3.0bar]  
 OUT 0 ~ 100kPa  
 {0 ~ 1.0bar}  
 FLUID MEDIA : FLUIDS CHEMICALLY COMPATIBLE WITH MATERIALS BELOW  
 MEDIA TEMPERATURE RANGE : 0 ~ 60°C  
 AMBIENT TEMPERATURE RANGE : 0 ~ 60°C  
 RATED VOLTAGE : 12VDC, 24VDC  
 POWER CONSUMPTION : 1.9W  
 DUTY CYCLE : CONTINUOUS  
 COIL TEMPERATURE INCREASE : MAX. 40°C FROM ROOM TEMPERATURE  
 INSULATION CLASS : CLASS B  
 DIELECTRIC STRENGTH : 1500VAC FOR 60s



MOUNTING HOLE DETAILS

MODEL NUMBER	PORT CONNECTION
MTV-2-NM6	M6
MTV-2-N1/4U	1/4-28UNF



WETTED MATERIALS

SYM.	DATE	DESCRIPTION	PART NO.	PART NAME	MATERIAL	REQD.	NOTE
△			2	DIAPHRAGM	PTFE	1	
△			1	VALVE BODY	PTFE/PCTFE/HPVC/ POM(YF1)/PEEK	1	

SCALE	APPROVED	CHECKED	DRAWN	SOLENOID VALVE		DRAWING NO.
2/1				MTV-2-NM6(1/4U)		977049-00-S
A 3						