

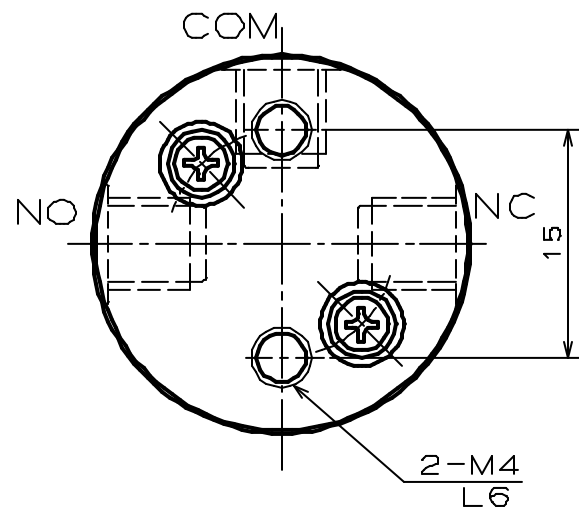
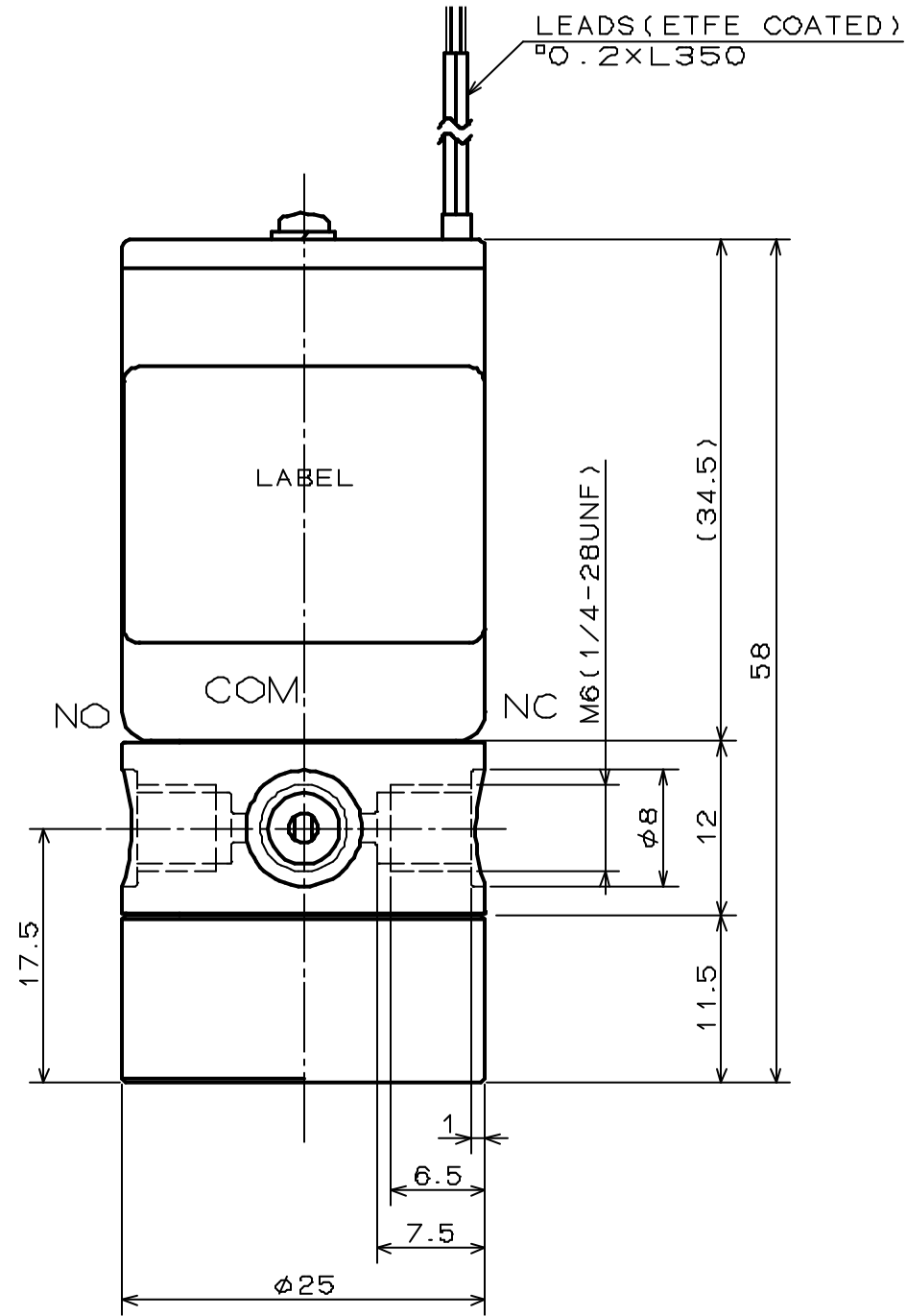
FOR REFERENCE ONLY

SOLENOID VALVE

SPECIFICATIONS for MODEL MTV-3-M6(1/4U)KGH

- ORIFICE DIAMETER : 1.6mm
- PORT CONNECTION : M6, 1/4-28UNF
- OPERATING PRESSURE RANGE : COM -80 ~ 600kPa
[-600mmHg ~ 6bar]
- NC, NO 0 ~ 500kPa
{ 0 ~ 5bar }
- FLUID MEDIA : FLUIDS CHEMICALLY COMPATIBLE WITH MATERIALS BELOW
- MEDIA TEMPERATURE RANGE : 5 ~ 60°C
- AMBIENT TEMPERATURE RANGE : 5 ~ 40°C
- RATED VOLTAGE : 24VDC
- POWER CONSUMPTION : 9W
- DUTY CYCLE : INTERMITTENT
4min ED=20%
- COIL TEMPERATURE INCREASE : MAX. 90°C FROM ROOM TEMPERATURE
- INSULATION CLASS : CLASS B
- DIELECTRIC STRENGTH : 1500VAC FOR 60s
- MODEL NUMBERS

MODEL NUMBER	PORT CONNECTION
MTV-3-M6KGH	M6
MTV-3-1/4UKGH	1/4-28UNF



WETTED MATERIALS

△			4	DIAPHRAGM	PTFE	2	
△			3	SOFT SEALER	DAIEL ₆ PERFLUOR	2	
△			2	STEM	PEEK	1	
SYM.	DATE	DESCRIPTION	1	VALVE BODY	PEEK	1	
REVISION			PART NO.	PART NAME	MATERIAL	REQD.	NOTE
SCALE	APPROVED	CHECKED	DRAWN	SOLENOID VALVE		DRAWING NO	
2/1	<i>N. Asai</i>	<i>A. Kamon</i>	<i>C. Hashida</i>	MTV-3-M6(1/4U)KGH		00062-00-S	
A 3							