

FOR REFERENCE ONLY

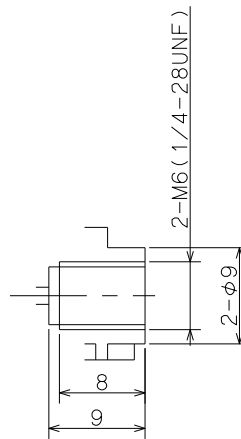
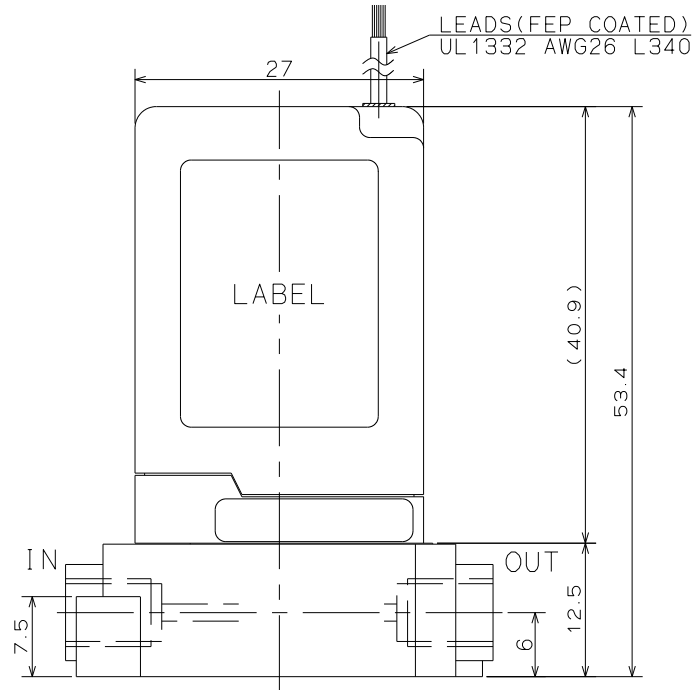
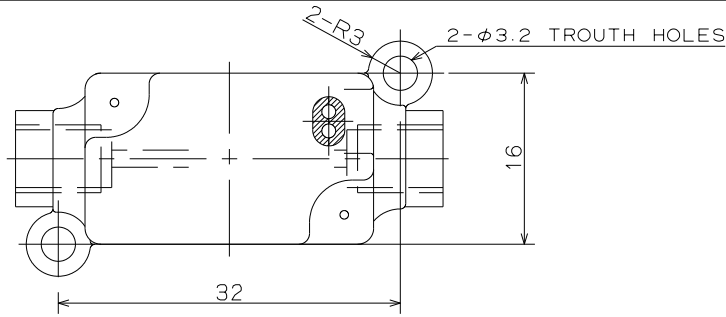
# SOLENOID VALVE

SPECIFICATIONS for MODEL RVB-2R-M6(1/4U)E

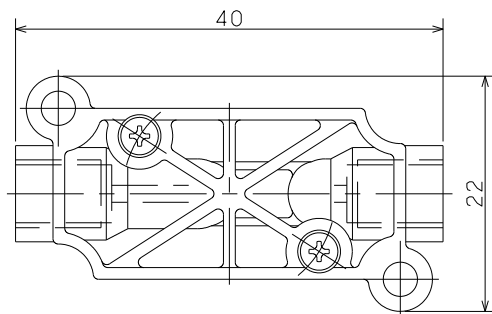
- ORIFICE DIAMETER : 1.6mm
- PORT CONNECTION : M6, 1/4-28UNF
- OPERATING PRESSURE RANGE : IN -90 ~ 250kPa (-675mmHg ~ 2.5bar)
- OUT -90 ~ 250kPa (-675mmHg ~ 2.5bar)
- FLUID MEDIA : FLUIDS CHEMICALLY COMPATIBLE WITH MATERIALS BELOW
- MEDIA TEMPERATURE RANGE : 0 ~ 50°C
- AMBIENT TEMPERATURE RANGE : 0 ~ 50°C
- RATED VOLTAGE : 12VDC, 24VDC
- POWER CONSUMPTION : 3.4W
- DUTY CYCLE : CONTINUOUS
- COIL TEMPERATURE INCREASE : MAX. 75°C FROM ROOM TEMPERATURE
- INSULATION CLASS : CLASS B
- NIELECTRIC STRENGTH : 1000VAC FOR 60s

NOTE

MODEL NUMBER	PORT CONNECTION
RVB-2R-M6E	M6
RVB-2R-1/4UE	1/4-28UNF



PORT DETAILS



WETTED MATERIALS

△								
△								
△				2	DIAPHRAGM	EPDM	1	
SYM.	DATE	DESCRIPTION	1	VALVE BODY	PPS	1		
REVISION			PART NO.	PART NAME	MATERIAL	REQD.	NOTE	
SCALE	APPROVED	CHECKED	DRAWN	SOLENOID VALVE			DRAWING NO	
2/1		A. Tada	Y. Yamada	RVB-2R-M6(1/4U)E			15030-00-S	
A 3								