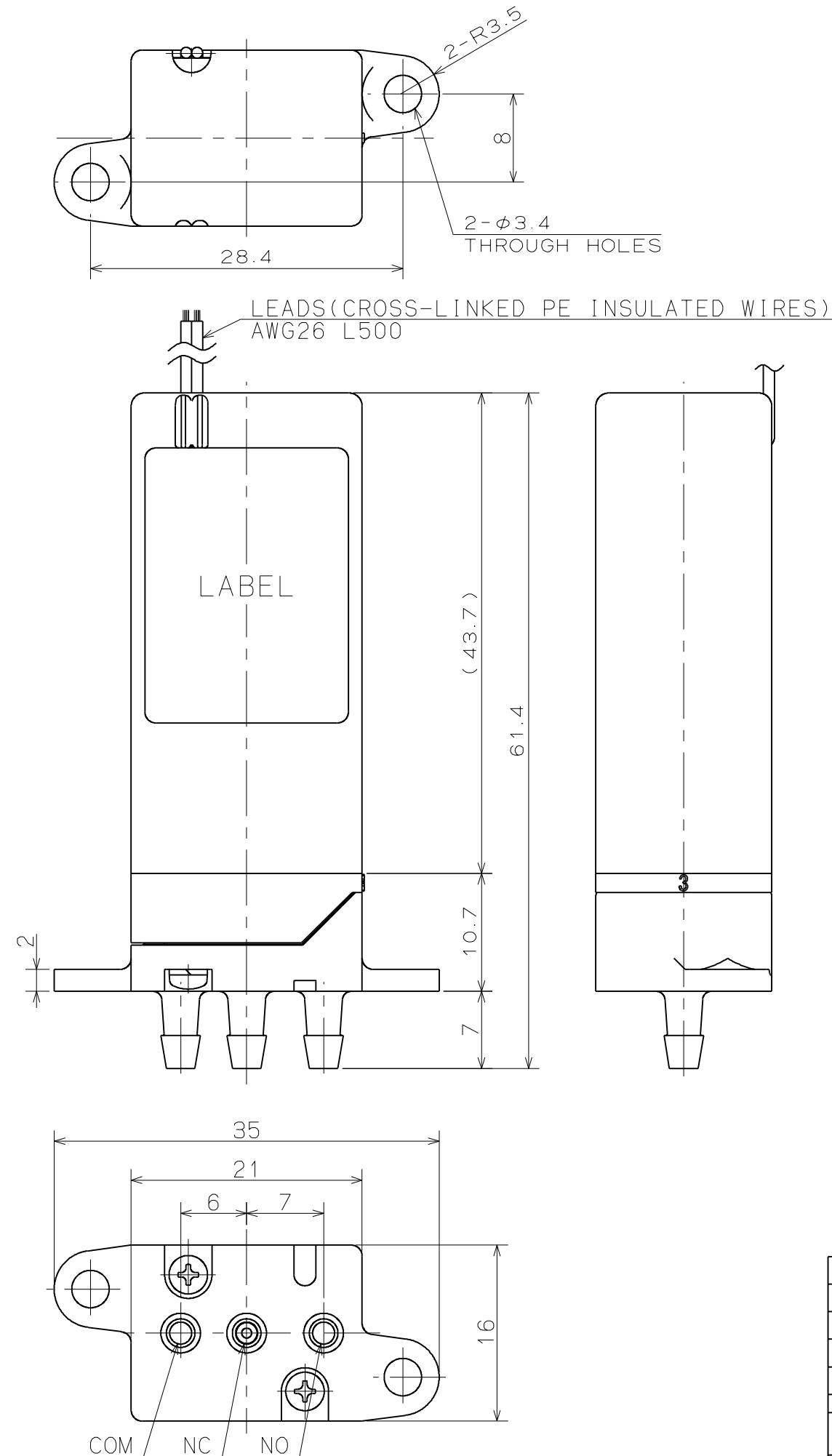


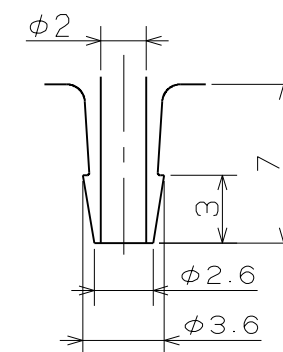
FOR REFERENCE ONLY

SOLENOID VALVE

SPECIFICATIONS FOR MODEL WEG-3R-N1E



ORIFICE DIAMETER	:	2mm
PORT CONNECTION	:	HOSE BARB
OPERATING PRESSURE RANGE	:	COM -90 ~ 200kPa { -675mmHg ~ 2bar }
	:	NC, NO -90 ~ 200kPa { -675mmHg ~ 2bar }
FLUID MEDIA	:	FLUIDS CHEMICALLY COMPATIBLE WITH MATERIALS BELOW
MEDIA TEMPERATURE RANGE	:	5 ~ 50°C
AMBIENT TEMPERATURE RANGE	:	5 ~ 50°C
RATED VOLTAGE	:	12VDC, 24VDC
POWER CONSUMPTION	:	2.6W
DUTY CYCLE	:	CONTINUOUS
COIL TEMPERATURE INCREASE	:	MAX. 65°C FROM ROOM TEMPERATURE
INSULATION CLASS	:	CLASS E
DIELECTRIC STRENGTH	:	1000VAC FOR 60s



HOSE BARB DETAIL
SCALE: 3/1

WETTED MATERIALS

SYM.	DATE	DESCRIPTION	PART NO.	PART NAME	MATERIAL	REQD.	NOTE
Δ			6	O RING	EPDM	1	
Δ			5	VALVE BODY A	PPS	1	
Δ			4	STEM	PPS	1	
Δ			3	DISK	EPDM	1	EP000179
Δ			2	GASKET	EPDM	1	EP000179
			1	VALVE BODY B	PPS	1	

SCALE	APPROVED	CHECKED	DRAWN	REVISION	PART NO.	PART NAME	MATERIAL	REQD.	NOTE
2/1		A. Tada	y. Yamada			SOLENOID VALVE			
A 3						WEG-3R-N1E			
								DRAWING NO	14144-00-S