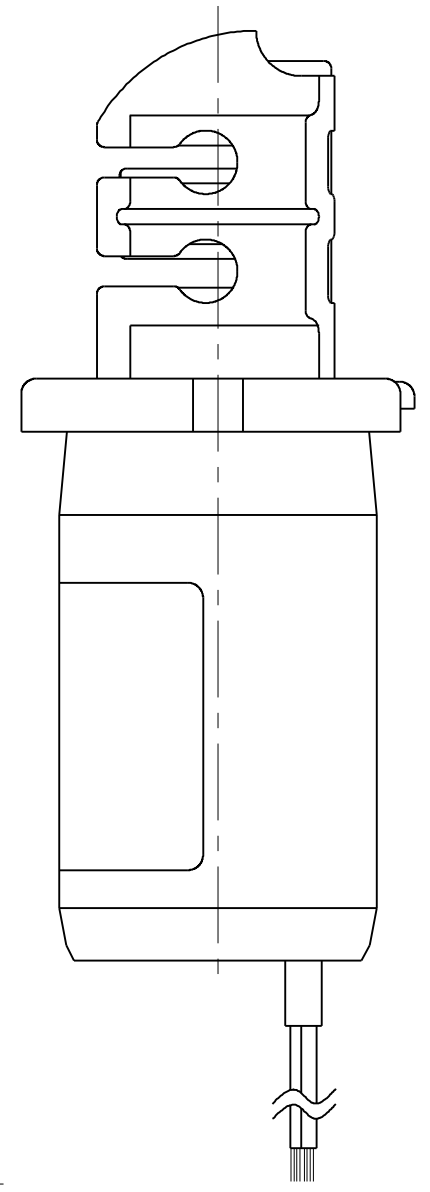
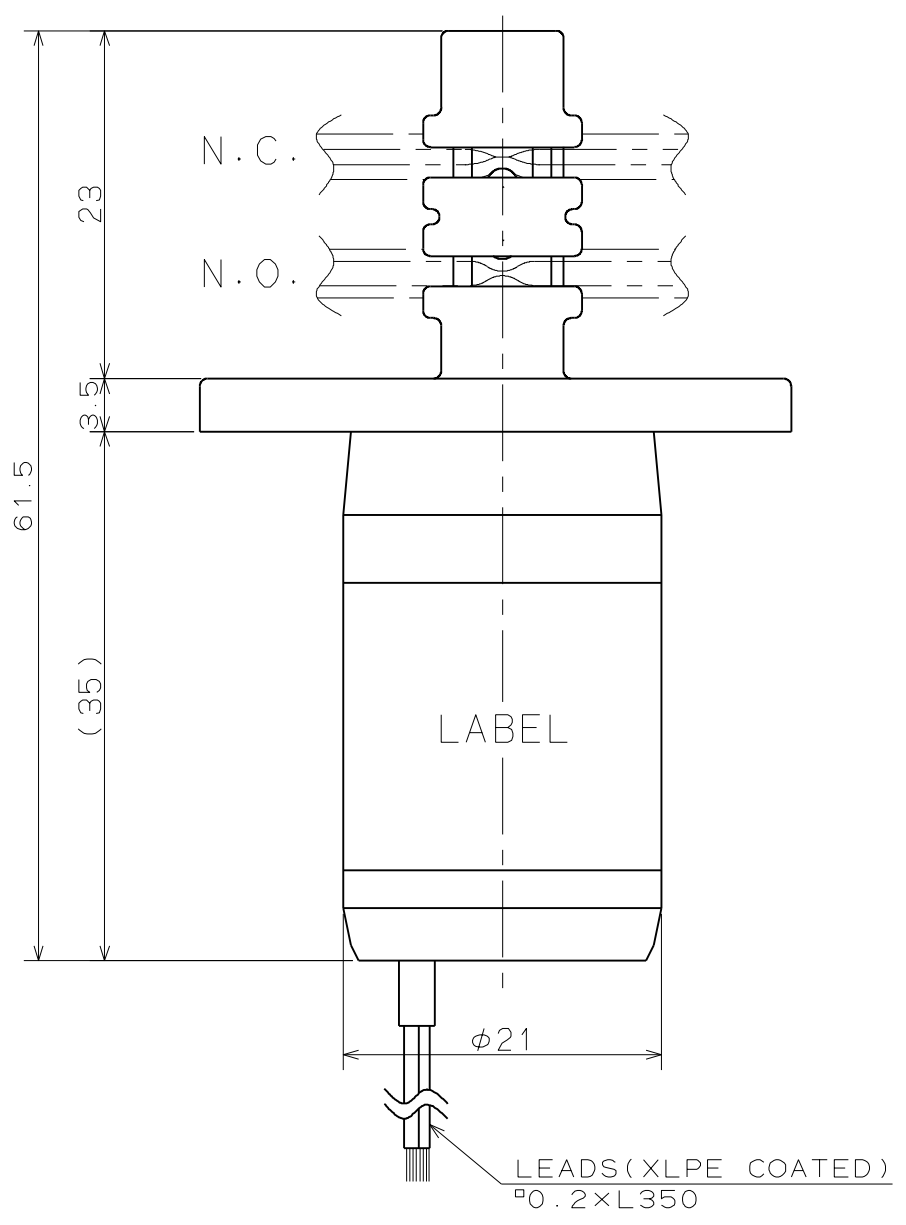
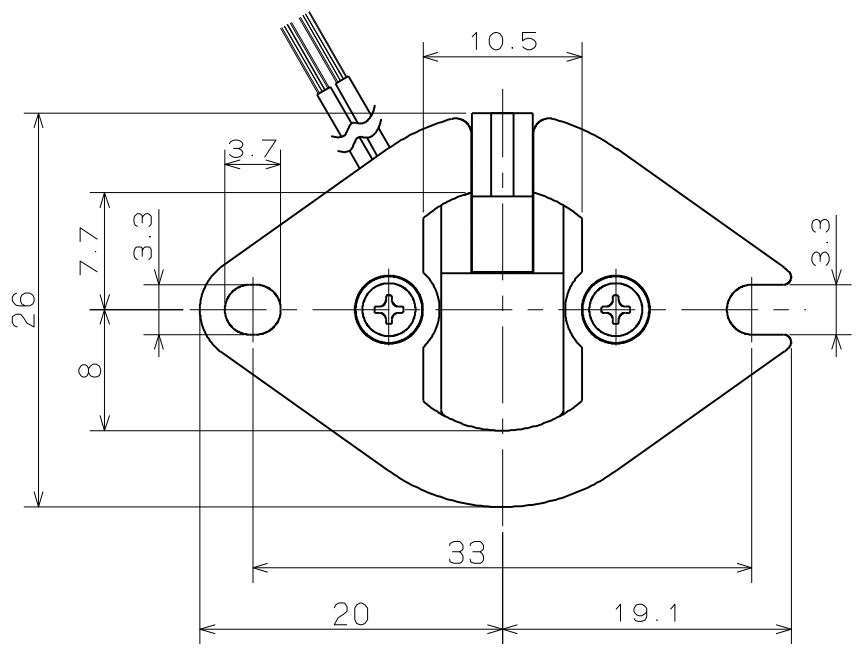


FOR REFERENCE ONLY

PINCH VALVE

SPECIFICATIONS for MODEL PCK-1015W

- TYPE : DUAL
- TUBE DIAMETER : I.D. 1mm, O.D. 3mm
- TUBE MATERIAL : SILICONE
- OPERATING PRESSURE RANGE : 0 ~ 150kPa
{ 0 ~ 1.5bar }
- AMBIENT TEMPERATURE RANGE : 0 ~ 40°C
- RATED VOLTAGE : 12VDC, 24VDC
- POWER CONSUMPTION : 3.5W
- DUTY CYCLE : CONTINUOUS
- COIL TEMPERATURE INCREASE : MAX. 80°C FROM ROOM TEMPERATURE
- INSULATION CLASS : CLASS B
- DIELECTRIC STRENGTH : 1500VAC FOR 60s
- NOTE : THIS SPECIFICATIONS ARE ONLY SATISFIED TO CONDITION THAT TUBE IS INSERTED INTO BOTH OF NO, NC SIDES.



SYMBOL	DATE	DESCRIPTION	PART NO.	PART NAME	MATERIAL	REQD.	NOTE
△			2	PINCHING HEAD	PBT	1	
△			1	TUBE HOLDER	POM	1	
REVISION							
SCALE	APPROVED	CHECKED	DRAWN	PINCH VALVE			DRAWING NO
2/1				PCK-1015W			10548-00-S
A 3							